

**2025**

**Guidelines for Application to  
Doctoral Degree Program in  
Tama Art University  
Graduate School of Art and Design**

**For inquiries about the entrance examination, contact:**

Admissions Section, Educational Affairs Department, Tama Art University, 2-1723 Yarimizu, Hachioji, Tokyo 192-0394, Japan

Phone: +81-42-679-5602 Fax: +81-42-676-2935 E-mail: [nyushi@tamabi.ac.jp](mailto:nyushi@tamabi.ac.jp)

Office hours: 9:00-17:00 (except Sundays, national holidays and vacation periods)

## Table of Contents

Admissions Policy	3
Selection Method	3
Concept of Entrance Examination	3
Number of Students to be Admitted	3
Eligible Candidates	4
Special Measures for Applicants with Disabilities	4
Pre-interview with Instructors before Examination	4
Application Period	5
Steps from Application to Announcement of Examination Result	5
Application Documents	8
Documents to be Submitted	10
Precautions for the Secondary Selection	11
Secondary Selection Schedule	11
Terms and Conditions for Submission of Work	12
Scoring Criteria	13
Waitlisted Applicants	13
Deadline for Enrollment Procedures	13
Tuition	13
Reduction or Waiving of Tuition	14
Enrollment	14
Thesis Guidance	14
Handling of Personal Information	14
Graduate School of Art and Design Doctoral Degree Program Thesis Supervisors	15
Graduate School of Art and Design Doctoral Degree Program Instructors	17
Entrance Examination Site	18
Various Scholarship Systems	18

### **Prescribed Forms for Application**

Labels for works and thesis to be submitted	20
Resume	21
Letter of Recommendation	22
Confirmation Sheet	23
Attachment paper for Residential Status	24
Application documents check sheet	25

## Admissions Policy

Art is not only a fundamental force that has nurtured humanity up to this point in time, but also a force of unknown potential to open up new avenues for the future.

Tama Art University respects the power of the arts that has established traditions, and supports the power of the arts to transform itself for an unknown future. We creatively synthesize artistic tradition and artistic innovation.

The arts will be deeply involved in an increasing number of fields (medical care, information, industry, corporate management, space development, artificial intelligence, etc.) and will play an important role at the intersection of these fields. The arts have the power to creatively connect various fields. By boldly crossing the boundaries between art and design, technology and theory, and synthesizing various fields of expression in a new dimension, art will be renewed (innovated).

### Doctoral Degree Program in Graduate School of Art and Design

The doctoral degree program in Tama Art University Graduate School of Art and Design is seeking individuals who are not only independent creators and researchers of art, but are capable of opening up new pathways in the future of art and the unknown possibilities of art, and creating new value in the arts, and those who will become global leaders and instructors in the field of art.

Therefore, the entrance examination for the doctoral degree program will test whether the applicant can not only demonstrate various abilities as an expressive person in their area of specialization, but also whether they can create a new field of expression itself, and whether they can express, research, and teach at an international level. In addition to creating value, they must also be able to pass that value on to future generations, in other words, they must be creative in their ability to educate. The results must be presented to society widely in the form of world-class works, books, etc., that mark an era and must be returned to the public.

Applicants who have completed a master's degree (master's program) or have an equivalent qualification are eligible to take the examination.

## Selection Method

In the primary selection, document screening is performed based on the research plan, a summary of the master's thesis or equivalent, portfolio (practical course applicants), list of research achievements (thesis only applicants), and submitted documents (including the results of language and certification examinations). For applicants who have passed the primary selection, secondary selection is performed based on their submitted thesis, submitted artwork (only for practical course applicants), and oral examination.

## Concept of Entrance Examination

We aim to nurture human resources for future leadership positions with broad insight and skills in all aspects of art and design, and to nurture artists and art theorists with the ability to make comprehensive judgments that can respond to significant advances in academic research and social change. We require applicants to submit theses and works (only for practical course applicants) to examine the applicants' research ability in each of the subdivided areas, as well as to submit a research plan and to take an oral examination in order to examine the balance in relation to their comprehensive academic fields.

## Number of Students to be Admitted

**Art Major**

**5 persons**

## Eligible Candidates

Any person who falls under, or is expected to fall under, any of the following by March 31, 2025.

1. A person who holds a master's or professional degree.
2. A person who has been awarded a master's degree or a degree equivalent to a professional degree in a foreign country.
3. A person who has been awarded a master's degree or a degree equivalent to a professional degree after completing correspondence courses offered by foreign schools in Japan.
4. A person who has been awarded a master's degree or a degree equivalent to a professional degree after completing a course at an educational institution in Japan that is positioned in the school education system of the foreign country as having a foreign university course and is separately designated by the Minister of Education, Culture, Sports, Science and Technology.
5. A person designated by the Minister of Education, Culture, Sports, Science and Technology.
6. A person who is recognized by the University as having academic ability equivalent or superior to a master's or professional degree through an individual admission eligibility screening, and has reached the age of 24.

\* MEXT (Ministry of Education, Culture, Sports, Science and Technology) Scholarship students are requested to contact the Admissions Section of the Educational Affairs Department.

### Individual application eligibility screening

Applicants who apply in accordance with the eligibility requirements described in 6. will be screened individually.

- Application deadline

Wednesday, September 25, 2024

For details on the application documents and application procedures for the individual application eligibility screening, please refer to the website of the University.

<https://www.tamabi.ac.jp/admissions/>

## Special Measures for Applicants with Disabilities

If you have a physical disability or need special consideration in taking the entrance examination or studying, please be sure to contact the Admissions Section of the Educational Affairs Department (Phone: +81-42-679-5602) by 17:00 on Monday, October 7, 2024, before making an application. If you anticipate considerable difficulties in your student life, please inquire prior to the aforementioned date, as advance consultation will be provided. In the event that you urgently need special consideration for the entrance examination, such as breaking a bone just before the examination, please let the above contact know of the matter as soon as possible.

For more information on support for students with disabilities, please refer to the URL below. Before you take the entrance examination of the Graduate School, please refer to the "Flow of support for students with disabilities" in the section "For students with disabilities."

<https://www.tamabi.ac.jp/campus-life/supports/disability-support/>

## Pre-interview with Instructors before Examination

In order to apply for the Doctoral Degree Program, you need to refer to [Graduate School of Art and Design Doctoral Degree Program Instructors] (page 17), meet with your desired instructor and submit a confirmation sheet (prescribed form, page 23) signed by the instructor and the dean of their affiliated department. If you do not know how to contact your desired instructor, please access the URL below and submit your application by 17:00 on Monday, October 7, 2024.

<https://form.run/@dr-preinterview>

\*If pre-interview is not conducted by the time the application is submitted and the applicant is unable to submit an examination confirmation Sheet, the application will not be accepted.

## Application Period

- Web application registration and payment of entrance examination fee  
Friday, November 1, 2024, 13:00 to Saturday, November 9, 2024, 18:00
- Mailing of application documents  
Friday, November 1, 2024 to Saturday, November 9, 2024 (postmarked on or before the deadline)  
\* If mailed from overseas, the documents must arrive no later than Saturday, November 9, 2024.

## Steps from Application to Announcement of Examination Result

- Please make sure that you have selected the correct type of entrance examination and major for which you are applying.
- Applications with incomplete or false information in the application documents will not be accepted. In addition, enrollment may be cancelled or the student may be expelled from the school.
- Applications cannot be cancelled or changed after payment of the examination fee has been completed.
- Once received, the application documents and examination fee will not be returned for any reason.
- If you wish to withdraw your application, be sure to contact the Admissions Section (Phone: +81-42-679-5602, E-mail: nyushi@tamabi.ac.jp).

### Application procedures



#### STEP 1...Applicant registration

Access the web application page (<https://www.tamabi.ac.jp/admissions/apply/>).  
Select "初めて出願する方 WEB出願サイト First-time applicants: Web application site."



※The application page is in Japanese only.

#### Select type of examination and major.

Please make sure that you have selected the correct type of entrance examination and major for which you are applying.



#### Enter personal information and upload a photo of yourself.

After entering all the information, a confirmation screen will appear, so please make sure all the information is correct.

- \* Once you have completed the application registration, you cannot change or cancel your registration.
- \* If there are any errors in your registration, please re-register your application from the beginning before paying the examination fee.

<Notes on the photo>

Images shall be VGA (640 x 480 pixel) size or larger and in JPEG format.

Your photo will be used for identification on the day of the examination and for your student ID card after enrollment.



Application  
Period  
November 1-9,  
2024

Application  
Period  
November 1-9,  
2024

## STEP 2...Payment of the examination fee

### Payment of examination fee (35,000 yen)

After confirming your registration details, please select a payment method for the examination fee.

Please select one of the following payment methods: convenience store, financial institution ATM [Pay-easy], or credit card.



Credit card	VISA, Mastercard, JCB, AMERICAN EXPRESS, Diners Club
Convenience store	7-Eleven, FamilyMart, Lawson, Ministop, Daily Yamazaki, Seicomart
Financial institutions ATM	ATMs where Pay-easy is available

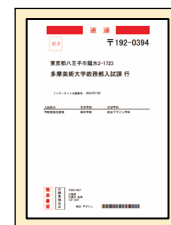
An additional handling fee of 990 yen is required for payment of the examination fee.

- \* The application registration is confirmed when the payment of the examination fee is completed.
- \* After payment of the examination fee, it is not possible to change or cancel the type of entrance examination or major for which you have registered your application.
- \* Failure to pay the examination fee within the application period will invalidate the application.

Application registration and payment of the examination fee must be completed by 18:00 on the last day of the application period.

## STEP 3...Mailing and submission of application documents

Print the application form and address label in A4 size and send the application documents to the university.



- After payment of the examination fee, the application form and address label will be available for download on My Page.
- For information on how to submit other application documents, works of art, and other submissions, please refer to p.08-10.

### Deadline for mailing of application documents

Mailing from Japan	<b>November 1-9, 2024 (postmarked on or before the last day)</b> Please send the application form, other application documents, and a commercially available western-style A4-size envelope with an address label attached by registered mail or express mail.
Mailing from outside Japan	<b>November 1-9, 2024 (must arrive within the application period)</b> Please send the application form, other application documents, and address label enclosed by DHL, FedEx, EMS, etc. Address: Tama Art University Admissions Section 2-1723 Yarimizu, Hachioji, Tokyo, 192-0394 Japan

- \* If your application is incomplete, we will contact you at the phone number or e-mail address you registered your application with.
- \* We are unable to respond to inquiries to confirm the arrival or incompleteness of application documents.

Application  
Period  
November 1-9,  
2024

### Upload the data of submissions for the primary selection.

Please review the list of submissions on page 10 and upload and send the data of the submissions for the application by accessing <https://form.run/@submission-form> during the application period.

Application completed

## After application registration - Announcement of examination result

December 4,  
2024, 13:00-

### Log in to My Page to check your Jukenhyō(examination ID for the examination).



December 25,  
2024, 13:00-

### Announcement of primary selection result

Please log in to My Page and check the result of the primary selection. Information on how to submit the submissions for secondary selection will be provided to **those who have passed the primary selection** at the time of the announcement of examination result. Please submit a master's thesis or a thesis equivalent to a master's thesis in accordance with the instructions.

Also, be sure to print out the Jukenhyō and bring it with you on the day of the secondary selection.

\* Please refer to page 10 for details on the theses to be submitted.

\* Details of the secondary selection will be announced on My Page on January 8, 2025.



January 16-17,  
2025

### Secondary selection

Be sure to print out the Jukenhyō and bring it with you.

The information on the implementation status on the day of the examination is available at <https://www.tamabi.ac.jp/admissions/exam-info/>. If there are any changes to the start time of examination due to weather, public transportation, etc., the information will be posted on the web page.

January 30,  
2025, 13:00-  
February 1,  
2025

### Announcement of final result

Please access <https://www.gouhi.com/tamabi/> and enter your examinee number and date of birth to check your result. You cannot see the result outside of the specified period. A "Letter of Acceptance" will be sent to successful applicants. The applicant will be officially accepted with a letter of acceptance. We will not respond to any phone calls or e-mails to confirm acceptance or rejection

## Application Documents

Please send all the applicable documents out of the documents listed below in a batch in any western-style A4-size or larger envelope with an address label (print it out by yourself after application registration) affixed to the surface.

[Note] If the applicant's first name or last name is different from the applicant's name on the application documents, please submit documents (issued by an official institution) to prove that the applicant is the same person.

Documents to be submitted	Applicable person	Remarks
(1) Application form	All	Please print the application form from My Page of the web application.
(2) Resume [p.21]	All	Please fill in the prescribed form in your own handwriting.
(3) Letter of recommendation [p.22]	All * Excluding those currently enrolled in the second year of a master's degree program at Tama Art University.	- In English or Japanese only. - If you have already completed a graduate course at the University, this is required. *Any form other than the prescribed form will not be accepted.
(4) Confirmation Sheet [p.23]	All	Please ask your instructor and department dean to sign the sheet and return it to you in a tightly sealed envelope, and then submit it to us. (For details, please refer to "Pre-interview with Instructors before Examination" on page 04.) * If you have interviewed with an instructor and have been approved to take the examination, but have difficulty preparing the confirmation Sheet by the time of application, please contact the Admissions Section of the Educational Affairs Department (+81-42-679-5602).
(5) Application documents check sheet [p.25]	All	Please fill in the prescribed form in your own handwriting.
(6) Certificate of (expected) graduation from the school from which you graduated (毕业证证明书/ 졸업 증명서)	All * Excluding those who have graduated (or are expected to graduate) from the graduate school of Tama Art University	- Please submit a certificate/transcript issued after April 2024. - Please submit a certificate/transcript written in English or Japanese. If the certificate/transcript is written in another language, please submit the original certificate/transcript and a certificate/transcript translated into English or Japanese by a public institution or Japanese language school. - If you are from a foreign university and do not have an indication of master's degree on your certificate of completion, please submit a certificate of graduation and a certificate of master's degree.
(7) Transcript from the school from which you graduated	All * Excluding those who have graduated (or are expected to graduate) from the graduate school of Tama Art University	[Note] If only one certificate was issued at the time of graduation and your home school is unable to reissue the certificate: (1) Please submit a copy of the certificate at the time of application. (2) Please enclose a note with your application documents stating that you will submit the original certificates on the day of the examination. (3) Please submit the original certificates you have on hand to the Admissions Section on the day of the examination. (Certificates will be returned after verification.)



Documents to be submitted	Applicable person	Remarks																
<b>(8) Transcript of language examination/certification (English)</b>	<b>All</b>	Please submit the transcript of any of the following language examinations/certifications (English). Applicants whose native language is English are exempted from submitting the transcript. * Transcripts must be for certifications and examinations conducted between April 2022 and September 2024.																
		<table border="1"> <thead> <tr> <th>Applicable qualifications and examinations</th> <th>Certificate to be submitted (copies acceptable)</th> </tr> </thead> <tbody> <tr> <td>Cambridge English Qualifications</td> <td>Passing certificate (Certificate)</td> </tr> <tr> <td>The EIKEN Test in Practical English Proficiency</td> <td>Eiken CSE score certificate</td> </tr> <tr> <td>GTEC</td> <td>Official score certificate</td> </tr> <tr> <td>IELTS*</td> <td>Test Report Form</td> </tr> <tr> <td>TEAP or TEAP CBT</td> <td>OFFICIAL SCORE REPORT</td> </tr> <tr> <td>TOEFL iBT</td> <td>Test Taker Score Report</td> </tr> <tr> <td>TOEIC L&amp;R or TOEIC S&amp;W</td> <td>Official Score Certificate</td> </tr> </tbody> </table>	Applicable qualifications and examinations	Certificate to be submitted (copies acceptable)	Cambridge English Qualifications	Passing certificate (Certificate)	The EIKEN Test in Practical English Proficiency	Eiken CSE score certificate	GTEC	Official score certificate	IELTS*	Test Report Form	TEAP or TEAP CBT	OFFICIAL SCORE REPORT	TOEFL iBT	Test Taker Score Report	TOEIC L&R or TOEIC S&W	Official Score Certificate
		Applicable qualifications and examinations	Certificate to be submitted (copies acceptable)															
		Cambridge English Qualifications	Passing certificate (Certificate)															
		The EIKEN Test in Practical English Proficiency	Eiken CSE score certificate															
		GTEC	Official score certificate															
		IELTS*	Test Report Form															
		TEAP or TEAP CBT	OFFICIAL SCORE REPORT															
		TOEFL iBT	Test Taker Score Report															
TOEIC L&R or TOEIC S&W	Official Score Certificate																	
* For IELTS, transcript of the Academic Module is preferred, but that of General Training Module is also acceptable. If you have difficulty submitting the above certificates, a printout of online grade inquiry (name, test date, test level/grade, etc. shall be indicated) will also be accepted.																		
<b>(9) Attachment paper for Residential Status [p.24]</b>	<b>Foreign nationals (including permanent residents or special permanent residents) only</b>	- Please attach a photocopy of the photo page of your passport. [Those residing in Japan] - Please attach a photocopy of the front and back of your Residence Card (or Special Permanent Resident Certificate for Special Permanent Residents). - Please be sure to attach a copy of both front and back sides, even if there is nothing on the back side.																
<b>(10) Transcripts and attendance certificates from Japanese language schools</b>	<b>Those enrolled in a Japanese language school in Japan after April 2024.</b>	- Only official certificates with the school's official seal will be accepted. - If the above certificate cannot be issued due to a short period of enrollment or other reasons, please submit a certificate to that effect (including the official seal of the Japanese language school).																
<b>(11) Labels for works and thesis to be submitted [p.20]</b>	<b>Those who passed the primary selection</b> * <b>Attach the labels to the works and theses for the secondary selection.</b>	- Please attach the label to each submission on the next page. <Notes on "Signature" column> In principle, only hand-written signatures of supervisors are acceptable. Please attach the label as follows depending on the form of the submission. (1) Submission in PDF data format or web format Please print out the label, scan the label with the signature of your supervisor, and submit the scanned data with each submission. (2) Bringing your own artwork, etc. Please attach the original label, signed in person by the relevant supervisor, to the works submitted for examination.																

<If you have graduated (or are expected to graduate) from an educational institution in China, submission of the following certificates only is acceptable.>

Graduation certificate	One of the following: (1) An A4-size printout of "Verification Report of China Higher Education Qualification Certificate" that can be viewed on the China Higher Education Student Information (CHSI) website. (2) Original "Verification Report of China Higher Education Degree Certificate (English version)" issued by Japan Agency of CHSI. * Failure to submit one of the above certificates may result in denial of the application.
Transcript	One of the following: (1) An A4-size printout of "Verification Report of China Higher Education Student's Academic Transcript" that can be viewed on the China Higher Education Student Information (CHSI) website. (2) Original "Transcript of China Higher Education Degree Certificate (English version)" issued by Japan Agency of CHSI.
Certificate of degree	An A4-size printout of "Verification Report of Higher Education Degree" that can be viewed on the China Higher Education Student Information (CHSI) website.

## Documents to be Submitted

### ●Submissions for primary selection

The following submissions shall be submitted in **PDF format**. Please access the designated form URL on p.07 and upload the submission.

Documents to be submitted	Applicable person	Remarks
(13) Summary of master's thesis (or equivalent) [PDF format]	All	- A summary written within approximately 2,000 characters in Japanese or 1,200 words in English.
(14) Research plan [PDF format]	All	- A research plan written in Japanese of 3-4 pages (about 4,800 characters) or in English of 4-5 pages (about 2,400 words). - Please include the candidate's name and the theme (title) of the research plan. - Please add photos and charts as needed.
(15) Portfolio [PDF or WEB format]	Only applicable to practical course applicants	①Portfolio prepared in PDF format (40MB or less) ②A website that introduces works, etc. that can be used as a substitute for a portfolio * In the case of ②, please submit the URL of the website.
(16) List of research achievements [PDF or WEB format]	Only applicable to thesis only applicants	If you are submitting a website introducing your research achievements, etc., please submit the URL.



**Additional submissions only for those who have passed the primary selection [due by Monday, January 6, 2025]**

Documents to be submitted	Applicable person	Remarks
(17) Master's thesis (or equivalent) [PDF format]	Those who passed the primary selection	<Applicants to practical course> A thesis written in at least 10,000 characters in Japanese [at least 6,000 words in English]. <Applicants to thesis-only course> A thesis written in at least 24,000 characters in Japanese [at least 14,400 words in English]. Information on how to submit the thesis will be provided on the My Page of the web application site at the time of the announcement of examination result of primary selection.

## Precautions for the Secondary Selection

1. Please be sure to enter the examination site at least 30 minutes before the start of the examination.
2. Only late arrivals within 30 minutes after the start of the examination will be allowed to take the examination.
3. If you arrive late, the test time will not be extended for any reason.
4. You will not be allowed to enter the examination site unless you bring your Jukenhyō. If you forget to bring your Jukenhyō, please notify the staff.
5. No borrowing, lending, or sharing of equipment is permitted.
6. Do not enter any areas other than your respective examination site and designated areas.
7. There is no clock in the examination room. Please bring your own if necessary.
8. You cannot use communication devices (cell phones, smart phones, PCs, etc.) in the examination room and during the examination.
9. Only students taking the examination are allowed to enter the premises.
10. If you contract an infectious disease (such as influenza, measles, or the novel coronavirus infectious disease (COVID-19) for which attendance is suspended under the School Health and Safety Act), you are not allowed to take the examination in principle, as it may spread to other students, exam proctors, and others.
11. The start and end times and duration of the examinations may be adjusted due to weather conditions or public transportation disruptions.
12. Any changes to these guidelines will be indicated on the University's website and announced on the day of the examination.

## Secondary Selection Schedule

### ●Works shall be delivered on Wednesday, January 15, 2025.

#### **Reception 13:00-14:00 (Installation shall be completed by 17:00.)**

\* When submitting your work, please be sure to bring a certificate from the supervising faculty member of the graduate school from which you graduated certifying that the work was produced by you (labels for works and thesis for submission [page 20]). (This is also required for prospective master's degree holders and research students of the Graduate School of Tama Art University.)

\* You cannot exceed the specified time.

\* Be sure to bring your Jukenhyō.

\* You are responsible for carrying in and installing your own work.

\* As a general rule, you are responsible for preparing your own supplies for installation and equipment for playing your video works.

\* The University will not be responsible for works falling or toppling over due to inadequate installation during the submission period.

\* For details on work submission, please refer to "Terms and Conditions for Submission of Work" (page 12).

### ●Oral examination on Thursday, January 16 and Friday, January 17, 2025

Oral examination will be conducted in either Japanese or English.

The time will be indicated on the My Page of the web application site on Wednesday, January 8.

\* It is not permitted to distribute or present separate materials to the faculty members in charge of the oral examination on the day of the examination.

### ●Works shall be removed on Saturday, January 18, 2025.

#### **Reception 13:00-14:00 (Removal shall be completed by 17:00.)**

\* You cannot exceed the specified time.

\* Be sure to bring your Jukenhyō.

## Terms and Conditions for Submission of Work

Please bring in and submit your work in accordance with the following terms and conditions\*.

### Common matters

- Works must be installed **within the space designated in the venue**. The size of the designated space will be communicated separately to those who pass the primary selection.
- The walls of the venue may not be used directly, except in the case of setting a large work against the wall. Use pre-loaned perforated panels in place of walls.
- The lighting of the venue cannot be adjusted.
- You cannot hang your artwork from the ceiling.
- When using equipment, please prepare a clearly written instruction manual on how to operate the equipment and submit it to the staff on the day of submission of the work.
- No work may be installed at heights greater than 2 meters (only one stepladder is provided on each floor. When you use a stepladder, you must arrange an assistant to accompany you.)
- Please provide protection and cover as necessary to prevent damage to facilities and fixtures.
- The University will not be responsible for any damage or accident caused by natural disasters or other force majeure.
- With the exception of the equipment loaned by the University (see below), you may not borrow any equipment or tools to be used for submitting artwork, and you need to prepare them in advance.
- No modification (drilling, nailing, riveting, etc.) of equipment loaned by the University is allowed.
- Please complete the submission within the prescribed time and have it checked by the staff before leaving the examination site.
- No shooting with cameras or video cameras is allowed in the venue, even if the subject is your own artwork.

### Precautions for submitting three-dimensional works

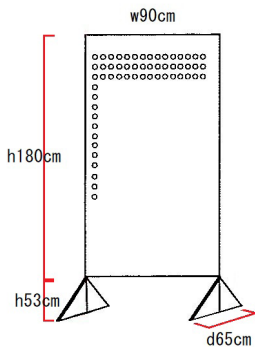
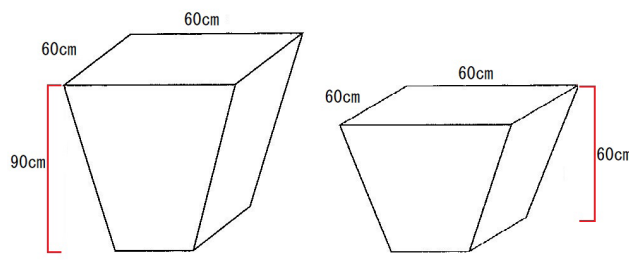
- If the work you wish to submit exceeds the specified scope, please submit it as documentation or make changes to the formation of the work.
- Please take your own measures to prepare for natural disasters, especially for works made of fragile materials such as glass.

### Precautions for submitting two-dimensional works

- Works shall be submitted by hanging them on perforated panels installed at the venue, not on the walls.
- Hooks for hanging works on perforated panels may be borrowed at the venue if desired. However, please prepare the strings and screw eye bolts to be attached to the backside of the work in advance by yourself.
- For works that exceed the usable area of the perforated panel, weigh more than 5kg, have no place to hang, have a depth of more than 10cm, or are deemed unstable or unsafe, place the work on the floor (be careful not to make it dirty) and set it against the wall, taking care to prevent it from falling over.
- When you put up paper, posters, etc., apply double-sided tape, etc., on top of curing/masking tape to prevent damage to the panel surface.

\*Subject to change when necessary depending on the status of the entrance examination.

### Equipment available for loan from the University

	
<p><b>Perforated panel</b>(up to 6 panels)  H180cm x W90cm x D65cm (height from floor: 233cm)  *Processing (drilling, nailing, riveting, etc.) is prohibited.  * Special hooks are available for borrowing.</p>	<p><b>Display stand (white)</b> (up to 2 stands of each type)  H90cm x W60cm x D60cm / H60cm x W60cm x D60cm  *Processing (drilling, nailing, riveting, etc.) is prohibited.</p>

## Scoring Criteria

<b>Research plan</b>	<ul style="list-style-type: none"> <li>- Whether you clearly describe your research topic and explain its importance and significance.</li> <li>- Whether you are able to logically explain the background of your research topic while referring to relevant previous studies.</li> <li>- Whether the production/research method and plan are described in detail and feasibility is demonstrated.</li> </ul>
<b>Submitted theses and works</b>	<ul style="list-style-type: none"> <li>- They are comprehensively evaluated as to whether the theses and works have the potential to be developed into a degree thesis or work.</li> </ul>
<b>Practical: Portfolio Thesis-only: List of research achievements</b>	<ul style="list-style-type: none"> <li>- It is comprehensively judged as to whether you have the ability to carry out the research project.</li> </ul>
<b>Oral examination</b>	<ul style="list-style-type: none"> <li>- How you perceive the results of the submitted work, submitted thesis, research plan, and language examination.</li> <li>- What direction you plan to take with regard to the writing of your thesis and production of artwork after enrollment in the program.</li> <li>- Whether you have the ability to express your views logically. Whether you can develop your thinking while flexibly recombining your own framework in response to questions and comments from teachers.</li> </ul>
<b>Results of language examinations and certifications</b>	<ul style="list-style-type: none"> <li>- Whether you have the language ability to write a thesis for the degree.</li> <li>- Whether you have the language skills to understand and reflect comments from supervisors in producing artwork and writing papers.</li> </ul>

## Waitlisted Applicants

You can check the waitlisted applicants on the acceptance/rejection information service (page 7), along with their alternate ranking. Notification of the advancement of alternates will be sent to those who are eligible for advancement as appropriate between Saturday, February 15, 2025 and Monday, March 31, 2025.

## Deadline for Enrollment Procedures

### Friday, February 14, 2025

Please transfer the tuition and other fees by the deadline and send the enrollment documents by mail (postmarked on or before the deadline).

## Tuition

Tuition for the 2025 academic year has not yet been determined; therefore, tuition for the 2024 academic year is shown below for reference.

Research area	Tuition fee (Payment can be made in installments at the time of enrollment and in September.)			Breakdown					Unit (Yen)	
	At the time of enrollment	September	Total amount	Tuition					Expenses	
				Enrollment fee *1	Course fee	Facility expenses	Maintenance fee	Practice fee	Deposits received for lump-sum purchases of materials for individual use *2	Alumni Association fee *3
Doctoral degree program (Graphic Arts)	1,031,500	779,500	1,811,000	200,000	1,237,000	240,000	50,000	32,000	22,000	30,000
Doctoral degree program (Ceramic, Glass, and Metal Works)	1,039,500	779,500	1,819,000	200,000	1,237,000	240,000	50,000	32,000	30,000	30,000
Doctoral degree program (Other)	1,009,500	779,500	1,789,000	200,000	1,237,000	240,000	50,000	32,000		30,000

\*1 Only at the time of enrollment [Not collected for students from the University].

\*2 Depending on the field of specialization, fees for individual materials, supplies, tools, training seminars, etc. will be charged separately from tuition fees.

\*3 Lifetime membership fee of 30,000 yen (proxy collection) only at the time of enrollment [not collected for students from the University].

### Note:

If a student who has completed the enrollment procedures wishes to withdraw from enrollment, he/she must submit a withdrawal form (designated form) by Monday, March 24, 2025. All payments except the enrollment fee will be refunded in mid-April.

### Tuition for the following year and beyond:

Tuition during the school year is a fixed amount based on the amount at the time of enrollment.

## Reduction or Waiving of Tuition

Tuition reductions and exemptions may be available for those affected by disasters. In that case, it will be posted on the University's website.

\* If the tuition reductions and exemptions are implemented for those other than the above, it will be announced on the University's website.

## Enrollment

The campus on which you enroll in depends on your instructor.

Please refer to "Graduate School of Art and Design Doctoral Degree Program Instructors" on page 17 for the campus affiliation of each instructor.

Hachioji Campus (2-1723 Yarimizu, Hachioji, Tokyo)

Kaminoge Campus (3-15-34 Kaminoge, Setagaya-ku, Tokyo)

\* International students whose "Certificate of Eligibility" or "Status of Residence 'College Student'" is not issued by the Immigration Service Agency after February 2025 will automatically have their admission cancelled. In addition, such students must obtain "Status of Residence 'College Student'" by April 1, 2025.

## Thesis Guidance

The primary supervisor for the doctoral thesis will be determined from the list of "Graduate School of Art and Design Doctoral Degree Program Thesis Supervisors" on page 15, after consultation between the applicant and the Graduate School Research Office. The secondary supervisor will be determined from among the faculty in the Graduate School, based on the student's own wishes and in consultation with the Graduate School Research Office.

## Handling of Personal Information

The University will use personal information (address, name, date of birth, etc.) collected at the time of the 2025 entrance examination for the purpose of conducting the entrance examination, announcing successful applicants, enrollment procedures, and related work. In doing so, we will take necessary and appropriate security control measures to prevent leakage, outflow, or unauthorized use of such personal information.

If you have any questions about the handling of personal information, please contact the Admissions Section.

## Graduate School of Art and Design Doctoral Degree Program Thesis Supervisors

Name	Profile
<b>Professor Tetsuya Oshima</b>	Born in Aichi Prefecture in 1973. Graduated from the University of Tokyo, Faculty of Letters, Department of Art History. M.A. in Humanities and Sociology of the University of Tokyo. Ph. D. from the Graduate Center of the City University of New York. Ph. D. (Art History). He served as chief curator at the Aichi Prefectural Museum of Art and associate professor at the Graduate School of Integrated Arts and Sciences, Hiroshima University before assuming his current position. Director of the Tama Art University Museum. His area of specialization is modern and contemporary western art history. While Jackson Pollock research has been his life's work, in recent years he has focused on abstract expressionism research. In the future, he also intends to embark on an art and culture theory study of the city of New York. He is the co-author of <i>Ils ont regardé Matisse: Une réception abstraite, États-Unis / Europe, 1948-1968</i> (Musée départemental Matisse, 2009). His major co-translations include Clement Greenberg, "Greenberg Critical Selections" (Keiso Shobo, 2005). Major exhibitions planned/supervised include "A Centennial Retrospective: Jackson Pollock Exhibition" (Aichi Prefectural Museum of Art and The National Museum of Modern Art, Tokyo, 2011-12) and "Barnett Newman: The Stations of the Cross—Lema Sabachthani" (MIHO MUSEUM, 2015).
<b>Professor Kyoko Kinoshita</b>	Recent research themes: "Research on <i>Sugito-e</i> in castle gardens," "Research on double-sided folding screens," "The formation and development of <i>Genji-e</i> in the Kano School," "The formation and transition of Japanese art collections in America." Thoughts on graduate education: "Completing a doctoral degree program and writing a dissertation are important tasks that will have a lasting influence on your life. We would like to work together with each student on their chosen research subject and production theme to make the short three-year period of study meaningful." Academic background: Completed the course in Japanese Art History, Graduate School of Letters, Osaka University. Doctor of Literature. Activities: Planning and organizing international exhibitions on Japanese art such as "The Arts of Hon'ami Koetsu, Japanese Renaissance Master," "West Meets East: China and Japan at the Centennial Exhibition," "Ike Taiga and Tokuyama Gyokuran: Japanese Masters of the Brush," "Kanō School," "The Tale of Genji," and "Hyakusen Sakaki," and participating in symposiums and lectures. Co-authored: <i>Ike Taiga and Tokuyama Gyokuran Japanese Masters of the Brush</i> (2007, Yale University Press), <i>Ink and Gold: Art of the Kano</i> (2015, Yale University Press), etc.
<b>Professor Yutaka Nakamura</b>	He specializes in cultural anthropology/design anthropology. With the U.S. and Japan as his immediate field of study, he is working on topics such as violence and social suffering on the "margins," mechanisms of discrimination and assimilation, anti-/de-violence efforts, artistic and cultural movements, and social design. In the U.S., he is particularly interested in the narratives, artistic and cultural expressions, and cultural construction efforts of African Americans, Muslims, indigenous peoples, and "culture creatives." In Japan, he is particularly interested in the "crisis" after March 11, 2011 and the social trends and cultural practices that have responded to it. In 2022, he founded Atelier Anthropology LLC., a design firm based on anthropology, and is working on social implementation with various companies, designers, and managers. Message to Graduate Students: "Let us not forget the meaning of studying art and design at university. Let us earn the delicacy of words, continue to develop our senses, and create "culture" together." Academic background: Doctor in Sociology, Graduate School of Social Sciences, Hitotsubashi University. Work experience: He has been a part-time lecturer at Kanto Gakuin University, Musashi University, Chuo University, Meiji Gakuin University, Bunka Gakuen University Graduate School, Hitotsubashi University Graduate School, and others. He is the author of <i>Around the Periphery of America: Traveling Anthropology</i> (Heibonsha, 2021) and <i>Reverberating Harlem: The Voices of Muslims Living on the Streets</i> (editorial republica, 2015). He is the editor of <i>Lectures on Art: Behind Creativity</i> (Kobundo, 2016) and <i>Lost and Found</i> (Ningengaku-kobo, vol. 1-5, 2013- 2018). His major articles include "Art, Witchcraft, and Cults: An Allegorical Letter on Tatsuya Mori's 'A,'" <i>Bulletin of the National Art Center</i> , Tokyo (No. 3, 2016); "Archives and Its Discontent: The Struggle over Identity among African Americans," <i>Cultural Anthropology</i> (No. 78 (2), 2013), "The Harlem Writers Crew as a Cultural Movement: In Search of the Nodes of Anthropology and Art," <i>Bulletin of Tama Art University</i> , 2013, <i>Community in Crisis: Language and Action among African-American Muslims in Harlem</i> (doctoral dissertation, 2008), etc. He is the translator of <i>The Uptown Kids: Struggle and Hope in the Projects</i> by Terry Williams & William Kornblum, (Otsuki Shoten, 2010).

Name	Profile
<b>Professor Yoshiharu Hamada</b>	<p>What is the sense of "new" for people? With the design of objects as its core, he explores methods to bring newness, its meaning and value, including tradition and technology, universal design, and the state of objects in a recycling-oriented society.</p> <p>Biography: Professor, Department of Product and Textile Design, Tama Art University. After working as an in-house designer in sports product development and branding, he established Studio Galleryworks. He has served on the jury of the Good Design Award. Industry-academia cooperative research projects in which he has been involved include UNIQLO's "Unknown and Future," NIKE's "Mass Craftmanship," Camper's "Creative Sensors," Kuraray's "Material perception," 3M's "Potentia," and Nestle's "COFFEE EXPERIENCES," etc. Participated in the Grants-in-Aid for Scientific Research project "International Comparison on Theory and Practice of Advanced Universal Design Methods" (2013-2016). Worked on JST's CREST "Ultrafast, Ultra-low Power, Ultra-large Area Electrochromism" (2017-2021) with NIMS, Waseda University, and the National Institute for Advanced Industrial Science and Technology (AIST). Area advisor for JST's ACT-X "Hardware for Resilience: The Future of Hardware for Resilience in Real Space" (2021-). Currently, as project leader, he is promoting "Design for disposal," which aims to build a recycling-oriented society, with five collaborating companies.</p>
<b>Professor Hiroaki Matsuura</b>	<p>Recent research themes: analyzing the situation surrounding Italian medieval and Renaissance art from various perspectives, and how we can apply the information obtained from these studies to the present day. Thoughts on graduate education: I would like to support you, who wish to study more than you did as an undergraduate, as much as possible in your pursuit of art, a path that is not easy. Academic background: After graduating from Department of Aesthetics and Art History, Faculty of Fine Arts, Tokyo University of the Arts, he studied art history at the University of Florence and at the German Institute of Art History in Florence as a scholarship student of the Italian government. After working as a Research Fellow of the Japan Society for the Promotion of Science, he completed his doctoral studies at Tokyo University of the Arts. Work experience (before Tama Art University): Part-time lecturer at Juntendo University, Tokyo Kasei University, and Tokyo University of the Arts before moving to Tama Art University. Activities: In addition to his research activities, he promotes Renaissance art and the Italian language. Major books and translations include "Italian Renaissance Art Museum" (Tokyo Do Shuppan), "History of Italian Renaissance Art" (Kawade Shobo Shinsha), "Reading the Sistine Chapel" (Kawade Shobo Shinsha), "Dismantling the Altarpiece" (Arina Shobo), "Italian Renaissance Art Theory" (co-author, Tokyo Do Shuppan), "The Art of Florence" (co-translation, NHK Publishing), "Katsuhiko Hibino Works KATSUHIKO HIBINO" (Shogakukan), "Kaisoku Italiano (Rapid Italian Language)" (Goken), etc.</p>
<b>Associate Professor Ichiro Saga</b>	<p>Born in Nobeoka City, Miyazaki Prefecture in 1976. Associate Professor, Department of Graphic Design. After graduating from the Faculty of Policy Management at Keio University and working for a computer company, studied in the master's and doctoral programs at Joshibi University of Art and Design, and received a doctorate in fine arts (doctoral thesis title: "The Development of Typographic Printing Techniques Applied in Modern Newspapers in the Early Meiji Period"). Since then, he has been involved in historical research on design and typography, graphic design as a practice, and digital archive construction. He has been a full-time faculty member at Tama Art University since 2014. "I would like to take a unified and cross-sectional view of European, American, and Japanese design history in order to examine the history of typography, graphic design history, and digital archive construction, which are the themes of my research." Co-author, "Cultural History of Type Printing" (Bensei Shuppan, 2009), "The World of Kodoken Seichoji Type [Kodoken Seichoji-related materials owned by Joshibi University of Art and Design]" (Joshibi University of Art and Design, 2016), editor, "Word Form and Design Records" no.1, 2 (Joshibi University of Art and Design, 2013 and 2014), translator and commentary, "Wim Crouwel: Designing an Unseen Future" (BNN, 2012), supervised translation and commentary "Playful Seriousness, Serious Play, My Life Solution: Grid System as Aesthetics" (BNN, 2018), commentary "Packaging: Japanese Traditional Packaging, Its Origin and Design" (Consent, 2019), and supervised "Posters of the 20th Century [Landscape of Iconography and Text]" (exhibition catalog, Tokyo Metropolitan Teien Art Museum and Nikkei Inc. 2021), etc.</p>

- Visiting Professor Yoko Makoshi

- Visiting Professor Tadanori Yokoo

\* Practical skills instruction (including thesis instruction in art studies) will be provided by the instructor for each research area.



## Graduate School of Art and Design Doctoral Degree Program Instructors

Major	Research area	Name	Enrollment
<b>Painting</b>	<b>Japanese Painting</b>	Keizaburo Okamura* Ryozo Kato Kunisa Takeda Osamu Chijiwa Pengyu Chen	Hachioji Campus
	<b>Oil Painting</b>	Takashi Ishida Takehiko Kikuchi Issei Kurihara Toshimi Koizumi Eri Takayanagi Masaya Chiba Rieko Hidaka Korehiko Hino Kyoko Murase Mika Yoshizawa	
	<b>Graphic Arts</b>	Naruki Oshima Masaaki Oya Kuniko Satake Hiroko Furuya	
<b>Sculpture</b>		Emiko Kasahara Takeshi Kimura Tadasu Takamine Michiko Nakatani Yoshihisa Mizukami	
<b>Ceramic, Glass, and Metal Works</b>		Yasushi Umakoshi Ryota Shioya Goro Tezeni Aki Rusu Harumi Yukutake Heechang Yoon	
<b>Design</b>	<b>Graphic Design</b>	Katsuya Kato Masako Koizumi Ichiro Saga Yasuhiro Sawada Yohei Takahashi Tatsutoshi Nomura	
	<b>Product Design</b>	Takashi Ashitomi Yumiko Ohashi Tatsu Ogata Hideji Takemasa Kiyoshi Nakata Yoshiharu Hamada Tatsuya Wada	
	<b>Textile Design</b>	Ko Kashiwagi Yuka Kawai Dai Fujiwara	
	<b>Architecture and Environmental Design</b>	Kayoko Aoki Motoshi Inukai Kai Otake Akira Kishimoto Yutaka Tajima Jun Hashimoto Minoru Matsuzawa Ryosuke Yuasa Sachiko Yuzawa Hiroshi Yoneya	
	<b>Information Design</b>	Tomohiro Uemura Fusako Kusunoki Naruaki Sasaki Junko Shimizu Akihiko Taniguchi Chihiro Minato Hiroyuki Moriwaki Hideki Yano	
	<b>Integrated Design</b>	Haruka Aramaki Chiho Sasaki Kenjiro Sano Fumie Shibata Syunichi Suge Tomoaki Takuma Kazufumi Nagai Tsunao Nagasaki Yugo Nakamura Yuya Nomata	Kaminoge Campus
<b>Art Studies</b>		Reiji Ando Tamayo Iemura Takashi Echigoya Tetsuya Oshima Atsuo Ogawa Kanazawa Momoe Kyoko Kinoshita	Hachioji Campus
<b>Drama and Dance</b>	<b>Drama and Dance</b>	Yukinosuke Itoi Ryohei Kondo Yukio Shiba Yasunori Tsuchiya Kinuyo Nogami Naoto Moriyama	Kaminoge Campus
	<b>Scenography Design</b>	Tomomi Ohira Yuichiro Kanai Toyomi Kano Tsunehiko Yamashita	

This is based on the information as of July 2024 and subject to change in FY2025.

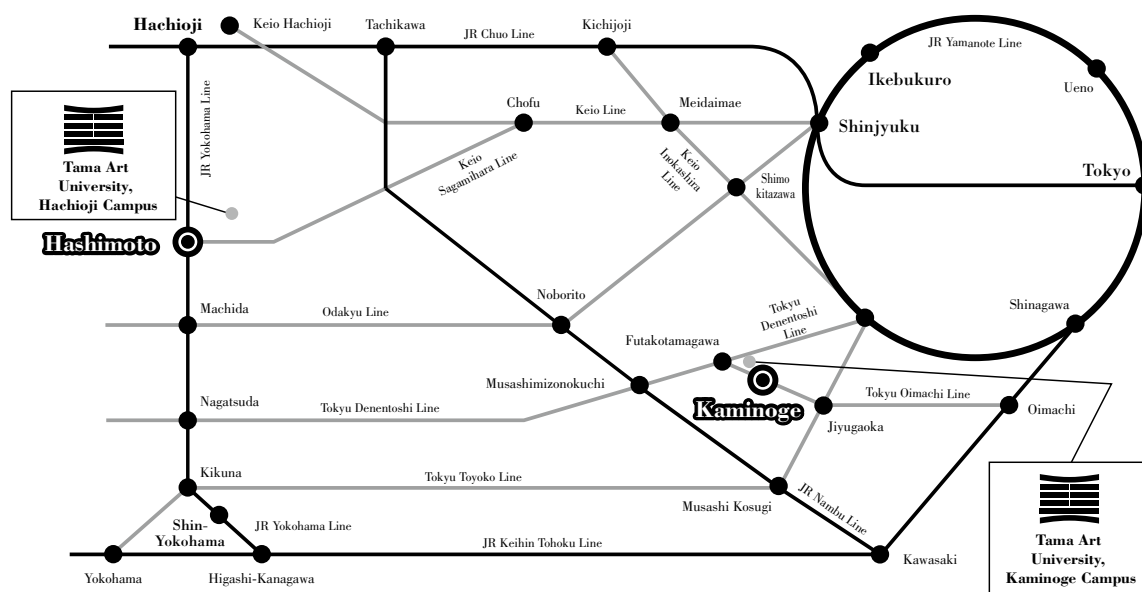
Achievements of teachers can be viewed on the website at <https://faculty.tamabi.ac.jp/>.

\* Planned to continue teaching through FY2025.

## Entrance Examination Site

- Hachioji Campus (2-1723 Yarimizu, Hachioji, Tokyo)

All majors and research areas



- **Hachioji Campus** Approximately 8 minutes by Kanagawa Chuo Kotsu Bus bound for Tama Art University from Hashimoto Station North Exit, Number 6 bus stop.

During the entrance examination period, the bus service from Hashimoto Station will be increased and operated as needed. For the smooth operation of the bus, please have coins or IC cards (Suica, PASMO, etc.) ready in advance and cooperate in boarding the bus in line.

- **Kaminoge Campus** Tokyu Oimachi Line "Kaminoge" station, 3-minute walk along Loop Route 8 (toward Seto).

For bus schedules and bus stops, please check the website of the University.

- \* If you take a local bus or taxi from Hachioji Station, please note that it may be delayed due to unforeseen circumstances such as road conditions on Route 16 or snowfall.
- \* No cars or other vehicles are allowed on campus during the entrance examination period.

**Inquiries about bus service and lost and found:**

**Tama Office, Kanagawa Chuo Kotsu Co. Phone: +81-42-678-6550**

**Minami-Osawa Office, Keio Bus South Co. Phone: +81-42-677-1616**

## Various Scholarship Systems

Various scholarship programs are available to support students' study. All of the University's own scholarships are grant-type. For more information on the scholarship program, please check the website below.

<https://www.tamabi.ac.jp/admissions/scholarships/>

# Doctoral Degree Program Selection

## Prescribed Forms for Application

- The prescribed form for application shall be printed in A4 size on one side (color printing is recommended).
- Please complete the form in black ink or black ballpoint pen. Do not use erasable writing instruments (pencil, Frixion Ball, etc.) to fill in the form.
- Data submissions are not accepted. Be sure to mail the application documents according to the "Application Documents" in the Guidelines for Application.

### Table of Contents

Labels for works and thesis to be submitted .....	20
Resume .....	21
Letter of Recommendation .....	22
Confirmation Sheet .....	23
Attachment Paper for Residential Status .....	24
Application Documents Check Sheet .....	25

## Labels for works and thesis to be submitted

(Attach the labels to the works and theses for the secondary selection.)

**Doctoral Degree  
Program Selection**

Examinee  
number \_\_\_\_\_

[In the case of a work, the original  
one must be submitted.]

One copy of this form must be attached to each work/thesis to be submitted, in a visible position for display.  
In the case of a thesis, the signed form must be scanned and attached to the thesis data.

Furigana			Desired major	Art Major
Name				
Name of the department of the school you graduated from	(XXXX Graduate school of XXXX University)	(Graduate course)	(Major)	
Title of work/thesis				(Production date: (MM, YYYY))
<p>&lt;Signature&gt; I certify that the above submissions were produced and written by the applicant.</p> <p style="text-align: center;">Date: (MMDD, YYYY)</p> <p style="text-align: right;">Title of certifier (Supervisor, etc.) _____</p> <p style="text-align: right;">Name of certifier (Must be handwritten by the certifier) _____</p> <p style="text-align: right;">Relationship with the pledger _____</p> <p style="text-align: right;">Contact information (e-mail or phone number) _____</p>				

## Labels for works and thesis to be submitted

(Attach the labels to the works and theses for the secondary selection.)

**Doctoral Degree  
Program Selection**

Examinee  
number \_\_\_\_\_

[In the case of a work, the original  
one must be submitted.]

One copy of this form must be attached to each work/thesis to be submitted, in a visible position for display.  
In the case of a thesis, the signed form must be scanned and attached to the thesis data.

Furigana			Desired major	Art Major
Name				
Name of the department of the school you graduated from	(XXXX Graduate school of XXXX University)	(Graduate course)	(Major)	
Title of work/thesis				(Production date: (MM, YYYY))
<p>&lt;Signature&gt; I certify that the above submissions were produced and written by the applicant.</p> <p style="text-align: center;">Date: (MMDD, YYYY)</p> <p style="text-align: right;">Title of certifier (Supervisor, etc.) _____</p> <p style="text-align: right;">Name of certifier (Must be handwritten by the certifier) _____</p> <p style="text-align: right;">Relationship with the pledger _____</p> <p style="text-align: right;">Contact information (e-mail or phone number) _____</p>				

- Note :
- : Please fill out the form carefully in block letters using black ink or black ballpoint pen.
  - : Do not use erasable writing instruments (pencil, Frixion Ball, etc.) to fill in the form.
  - : Please obtain certification from the relevant third party, excluding family, friends and acquaintances, in the Certification column.
  - : The certifier may be a teacher at a prep school or Japanese language school, as long as he/she can prove that the work was produced and written by the applicant.
  - : If it is found that the work submitted was not created by the applicant, the applicant may be subject to cancellation of admission or other disciplinary action, even after acceptance.
  - : We may inquire about the content of the certification.

Furigana			Desired major	Art Major
Name				

**● Academic background**

Please fill in after high school graduation.

Year	Month	Name of School/Faculty/Department
		High school Graduated
		Enrolled / Graduated (expected)/Other )
		Enrolled / Graduated (expected)/Other )
		Enrolled / Graduated (expected)/Other )
		Enrolled / Graduated (expected)/Other )
		Enrolled / Graduated (expected)/Other )
		Enrolled / Graduated (expected)/Other )

**● Tama Art University Student ID Number**

If you have been a student at Tama Art University (including research students), please enter your student ID number

--

**● History of Japanese language study**

- Please fill in this form only if you are an international student who has attended or is currently attending a Japanese language school in Japan.  
- If you have attended more than one Japanese language school, please indicate the name of the school you attended most recently.

Year	Month	School name
		Enrolled
		Graduated (expected)

**● Work history (or exhibition history, etc.)**

Year	Month	Contents

**● Awards, prizes, etc.**

Year	Month	Contents

多摩美術大学学長 殿

Dear Tama Art University president,

\*To be entered by the University

西暦20 年 月 日  
Date: (year) (month) (day)

所属機関名  
Name of the institution:

役職名  
Official position:

氏名  
(推薦者本人直筆)  
Name:  
(signed by the referee)

## 推薦書

Letter of Recommendation

本人氏名  
Name of the applicant: \_\_\_\_\_

### 1. 専攻分野における実力について

Ability in major field of study:

指導の年限

Total years of instruction

指導の内容

Details of instruction

現在の評価

Current evaluation

将来の見込

Potential for development future

### 2. 人物について

About the applicant:

### 3. その他（審査を受ける論文・作品について等）

Other (about the applicant's thesis, works, etc.) :

注意：本学大学院修了生（修了見込者除く）および他大学院出身者のみ厳封のうえ提出

Note: Graduates (excluding prospective graduates) from TAU's Master's Degree Course and other universities must submit this letter sealed.

**Dear Tama Art University president,**

\*To be entered by the University

### **Confirmation Sheet**

(Name of applicant) \_\_\_\_\_ is applying for the Tama Art University,  
Doctoral Degree Program in Graduate School of Art and Design.

**Remarks**(optional, instructor's description acceptable)

Date: (year) (month) (day)

Department Name

Name of Department Dean

(Signed by the department dean)

Name of instructor

(Signed by the supervisor)

Note : Signatures must be in the handwriting of the full-time instructor and department dean.  
: After the full-time instructor and the department dean signed the form, the full-time instructor is requested to put the form in an envelope and strictly seal it, and give it to the applicant.

# Attachment paper for Residential Status

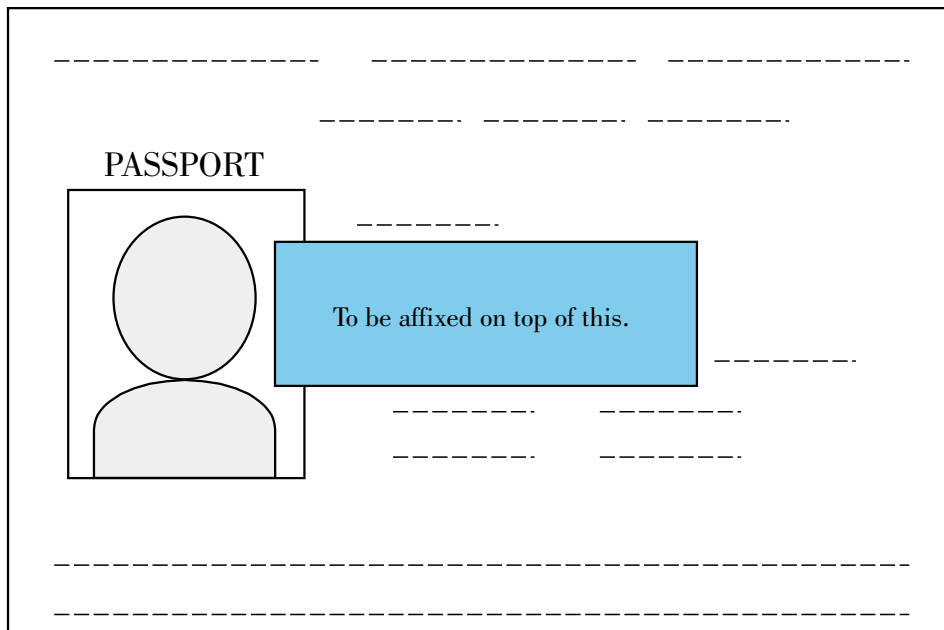
Doctoral Degree  
Program Selection

\*To be entered by the University

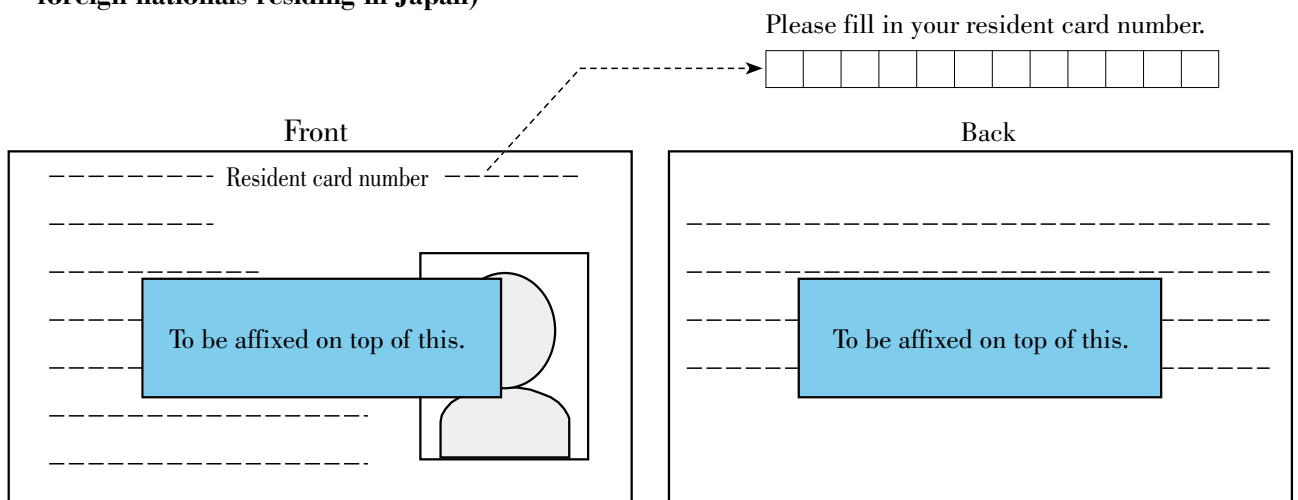
Furigana			Desired major	Art Major
Name				

Foreign nationals must photocopy the photo page of their passport and cut out and attach the copy with glue. Those residing in Japan (including permanent residents or special permanent residents) must attach a photocopy of both sides of their Residence Card.

●Photo page of passport



●Photocopies of both sides of your resident card or special permanent resident certificate (only for foreign nationals residing in Japan)



**To be affixed even if no statement is written.**



# Application documents check sheet

Doctoral Degree  
Program Selection

\*To be entered by the University

Furigana			Desired major	Art Major
Name				

**\* Please be sure to check pages 08-10 of the Guidelines for Application for details on application documents and submissions.**

Documents to be Submitted		Applicable person	Check	
<b>Prescribed Forms for Application</b>	Application form (Please print out the application from My Page of the web application.)	All	<input type="checkbox"/>	
	Resume	All	<input type="checkbox"/>	
	Letter of Recommendation	All*	<input type="checkbox"/>	
	Confirmation Sheet	All	<input type="checkbox"/>	
	Attachment paper for Residential Status	Attach a copy of your passport	Foreign nationals	<input type="checkbox"/>
		Attach a copy of your resident card or special permanent resident certificate (front and back).	Foreign nationals residing in Japan	<input type="checkbox"/>
	Labels for works and thesis to be submitted	All	<input type="checkbox"/>	
Application documents check sheet (this form)	All	<input type="checkbox"/>		
<b>Documents to be prepared by the applicant</b>	Summary of master's thesis or equivalent	All	<input type="checkbox"/>	
	Research plan	All	<input type="checkbox"/>	
	Portfolio	Applicants to practical course	<input type="checkbox"/>	
	List of research achievements	Applicants to thesis only course	<input type="checkbox"/>	
	Transcript of language examination/test (English)	All	<input type="checkbox"/>	
	(1) Certificate of completion from the school (university) from which you graduated	All students except those who have completed a master's degree at the University	<input type="checkbox"/>	
	(2) Certificate of Master's degree from the school (university) from which you graduated	Only those who have graduated from a school (university) in a foreign country and whose diploma does not show a Master's degree	<input type="checkbox"/>	
	(3) Transcript from the school (university) from which you graduated	All except students who graduated from the University	<input type="checkbox"/>	
	Japanese or English translations of (1), (2), and (3) above (Translation must be certified by a public institution or agency.)	Those whose respective certificates are in a language other than Japanese or English.	<input type="checkbox"/>	
Transcripts and attendance certificates from Japanese language schools	Only for foreign nationals who have attended Japanese language school since April 2024.	<input type="checkbox"/>		

\* Prospective graduates of the Graduate School of the University are not required to submit it.